

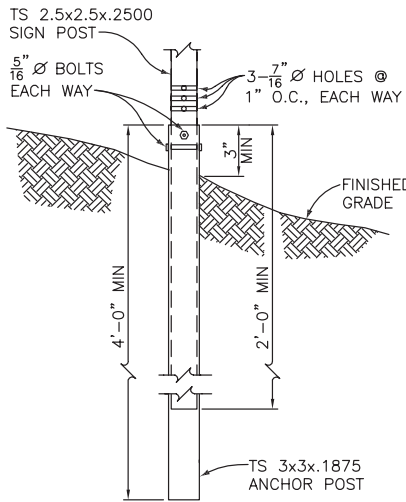
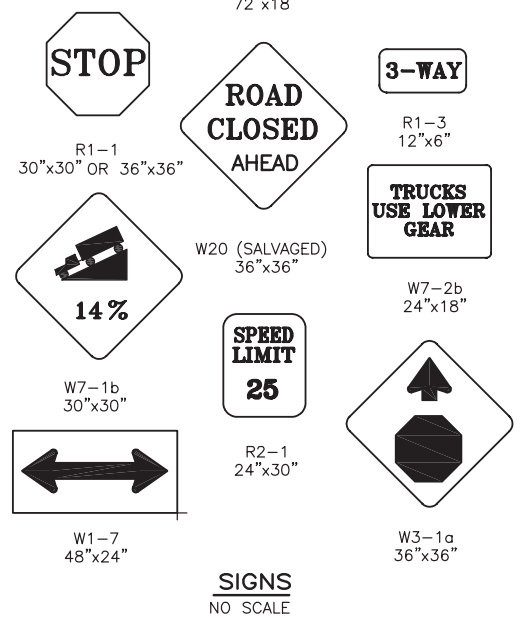
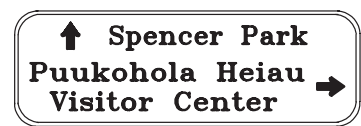
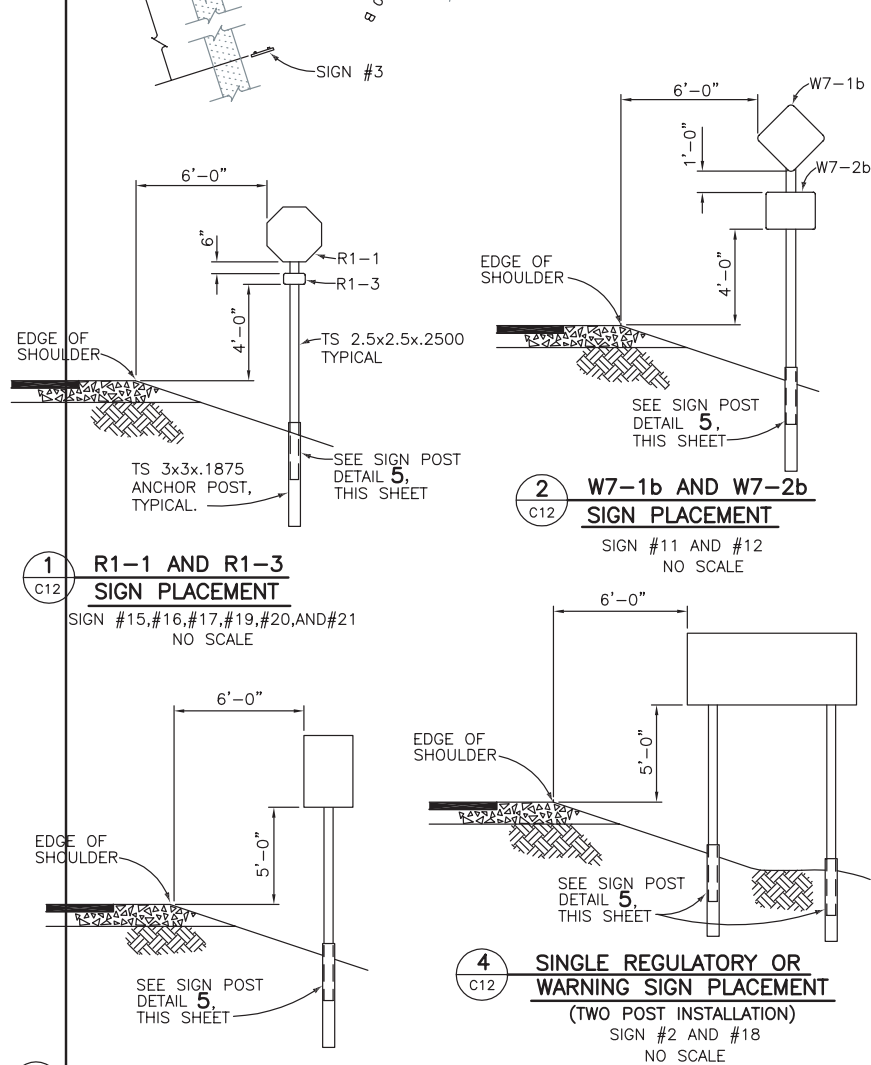
- NOTES**
- BEGIN CENTER LINE MARKINGS AT STA 0+30A-LINE, END CENTER LINE MARKINGS AT STA 18+95 A-LINE.
  - BEGIN EDGE LINE MARKINGS AT STA 0+75 A-LINE, END EDGE LINE MARKINGS AT STA 18+55. RIGHT EDGE LINE MARKING SHALL CONTINUE THROUGH B-LINE INTERSECTION.

**SIGN LAYOUT PLAN**  
SCALE (A)

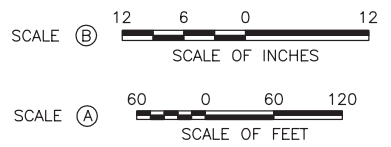
FOR SIGN PLACEMENT SEE DETAILS 1, 2, 3 AND 4 ON THIS SHEET AND DETAIL 3/C10 FOR HEIGHT AND LATERAL CLEARANCE.

**SIGN SCHEDULE**

SIGN NO.	TYPE		SIGN TYPE OR CATEGORY	DESCRIPTION	SIZE WxH
	FHWA	NPS			
1		*	1	PUUKOHOLA HEIAU NHS SPENCER PARK	120"x48"
2	*		W1-7	DOUBLE ARROW	48"x24"
3		*	1	PUUKOHOLA HEIAU NHS SPENCER PARK	114"x48"
4	*		R1-1	STOP	36"x36"
5	*		W20	ROAD CLOSED AHEAD (SALVAGED)	36"x36"
6		*	3	PUUKOHOLA HEIAU NHS ENTRANCE SIGN	87"x38"
7		*	3	SPENCER PARK PUUKOHOLA HEIAU V.C.	72"x24"
8		*	3	PUUKOHOLA HEIAU VISITOR CENTER	72"x18"
9	*		R1-1	STOP	30"x30"
10	*		R2-1	SPEED LIMIT 25	24"x30"
11	*		W7-1b	HILL WITH % GRADE	30"x30"
12	*		W7-2b	TRUCKS USE LOWER GEAR	24"x18"
13	*		W3-1a	STOP AHEAD	36"x36"
14	*		R2-1	SPEED LIMIT 25	24"x30"
15	*		R1-1	STOP	36"x36"
16	*		R1-1	STOP	36"x36"
17	*		R1-1	STOP	36"x36"
18	*		W1-7	DOUBLE ARROW	48"x24"
19	*		R1-3	3-WAY	12"x6"
20	*		R1-3	3-WAY	12"x6"
21	*		R1-3	3-WAY	12"x6"



- NOTES**
- FOR DETAILS ON SIGNS #1, #3, #6, #7, #8 SEE SHEET C13.
  - FOR MORE INFORMATION ON NPS SIGNS REFER TO THE JANUARY 1988 NPS SIGN MANUAL. FOR MORE INFORMATION ON REGULATORY SIGNS REFER TO THE MANUAL ON UNIFORM TRAFFIC CONTROL DEVICES, 1988 EDITION.



DESIGNED: B. WADER	SUB SHEET NO. <b>C12</b>	TITLE OF SHEET <b>SAMPLE PLAN AND DETAILS FOR ROADWAY SIGNS AND PAVEMENT MARKINGS</b>	DRAWING NO. <b>999</b> 41,001
TECH. REVIEW: L. WOLF		NAME OF PARK	PKG. NO. 108
DATE: 10/94			SHEET 14 OF 43

Figure A8 - Sample Plan and Details for Roadway Signs and Pavement Markings (C12) - 499/41001